

NOZZLE CHECK VALVE

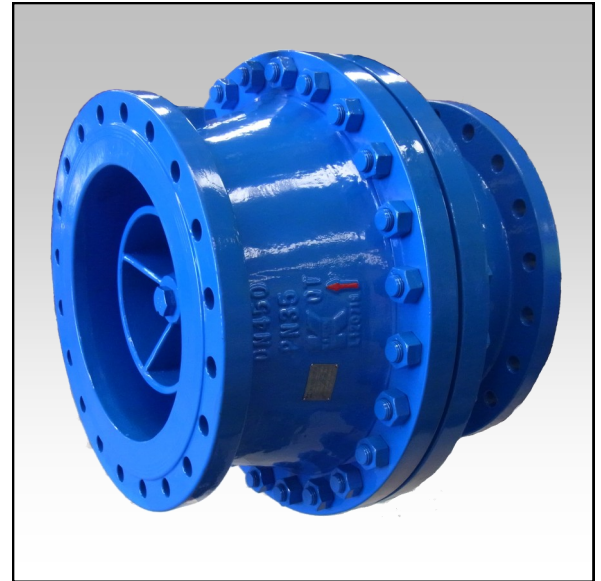
DN50—DN900

MODEL - K-RVZ/G



FEATURES AND BENEFITS

- Inherent non-slam characteristics
- Rapid closure, less than 0.15sec movement from fully open to fully closed
- Short stroke
- Low pressure loss
- Resilient sealing for high shut off with 100% reliability
- Installed in horizontal or vertical position
- Coating AKZO Nobel Resicoat R4 complies with AS4158



TECHNICAL SPECIFICATION

Valve Nominal Diameter:	50MM-900mm
Valve Pressure Rating:	PN16
End Connection:	Flanged AS4087
Media:	Clean water, Air.
Working Temperature:	0°C - 95C
Testing:	API 598 BS 6755

APPLICATIONS

Challenger Valves and Actuators are the “*Right Choice for Valves and Actuation*” when quality matters. Servicing industries such as: Water treatment and Pump Station.



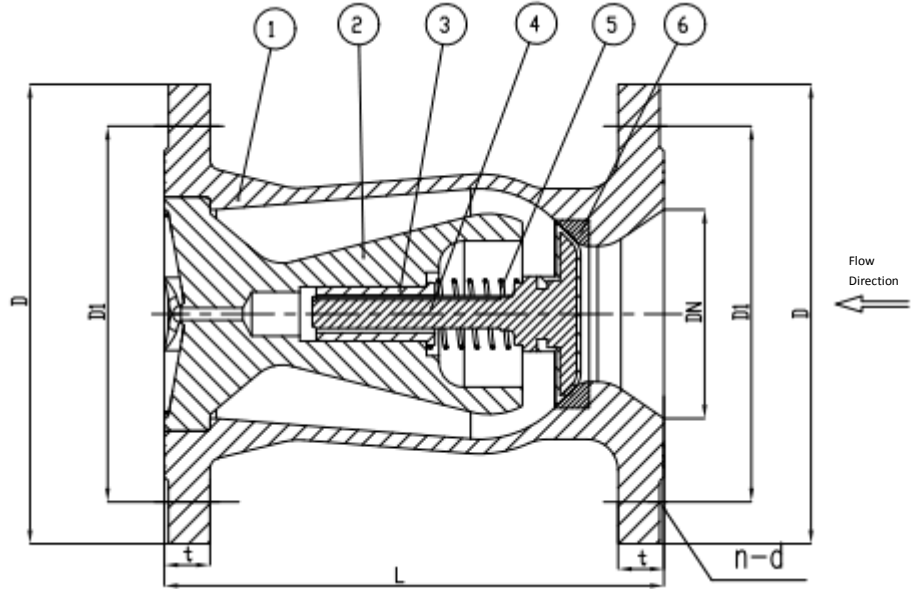
NOZZLE CHECK VALVE

DN50—DN900

MODEL - K-RVZ/G

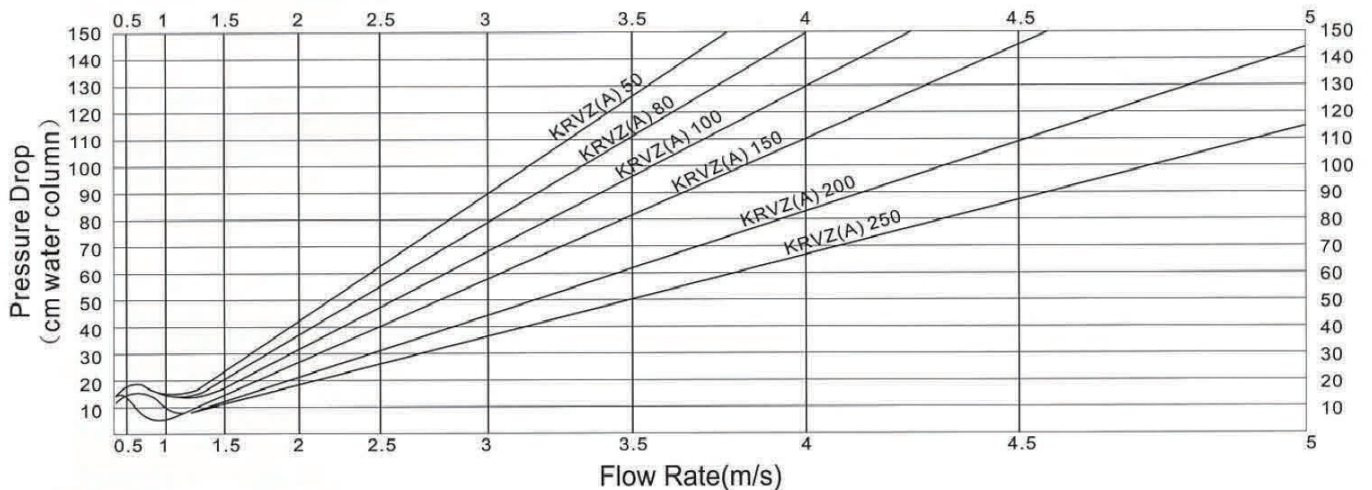


K-RVZ DN50MM - DN250MM



No	Components	Material	Grade
1	Body	Ductile Iron	AS1831 450-10
2	Flow Diffuser	Ductile Iron	AS1831 450-10
3	Bush	Al-Bronze	GB/T-12225 ZCuAl0Fe3
4	Disc	Stainless Steel & EPDM	GB/T 2100 ZG1Cr13 with EPDM
5	Spring	Stainless Steel	ASTM A182 SS304
6	Seat	Stainless Steel	ASTM A351 CF8M

Size DN	Dimensions					Weight (kg)
	L	D	D1	n-d	t	
50	120	150	114	4-18	17	7
80	180	185	146	4-18	19	13
100	240	215	178	4-18	19	15
150	350	280	235	8-18	21	39
200	450	335	292	8-18	22	73
250	500	405	356	8-22	25	108



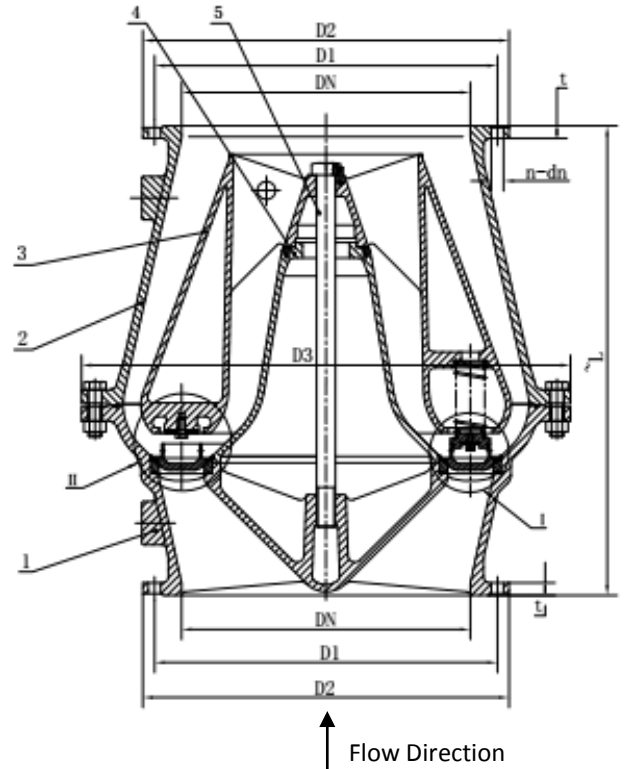
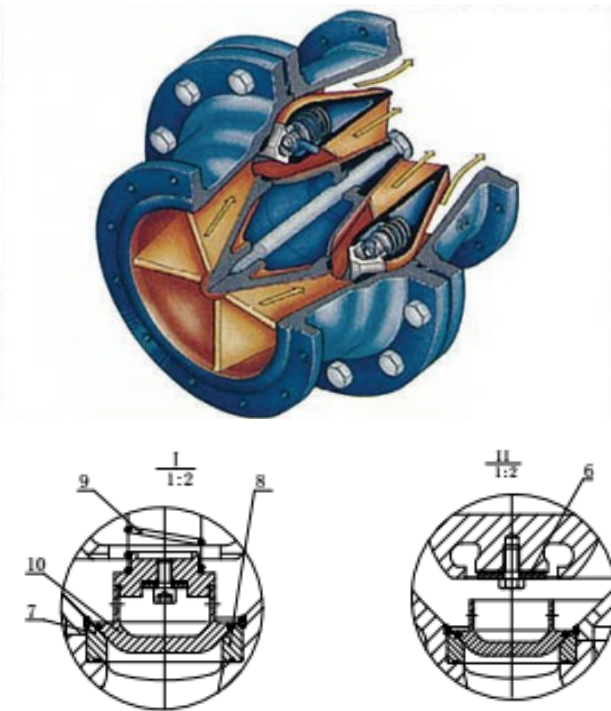
NOZZLE CHECK VALVE

DN50—DN900

MODEL - K-RVZ/G



K-RVG DN300MM - DN900MM



No	Components	Material	Grade	Dimensions					Weight (kg)			
				Size DN	L	D1	D2	D3		dn	n	t
1	Upper Body	Ductile Iron	AS1831 450-10									
2	Lower Body	Ductile Iron	AS1831 450-10									
3	Flow Diffuser Outer	Ductile Iron	AS1831 450-10									
4	Flow Diffuser Inner	Ductile Iron	AS1831 450-10									
5	Bolt	Alloy Steel	35CrMoA/B7									
6	Reed	Stainless Steel	ASTM A276 304									
7	Seat Inner	Al Bronze	AS1565 C95200									
8	Seat Outer	Al Bronze	AS1565 C95200									
9.	Spring	Stainless Steel	ASTM A182 304									
10	Disc	Al Bronze & EPDM	AS1565 C95200									
				300	500	406	445	620	22	12	25	265
				350	600	470	525	690	26	12	29	408
				400	675	521	580	765	26	12	29	514
				450	675	584	640	805	26	12	32	524
				500	850	641	705	930	26	16	32	916
				600	1000	756	825	1055	30	16	35	1180
				700	1150	845	910	1240	30	20	38	1648
				800	1300	984	1060	1380	36	20	41	2045
				900	1450	1092	1175	1530	36	24	44	3200

