



# Z - Series PRESSURE

BETA products are manufactured in The Netherlands

**Enclosures:**

**Cast Aluminum:**

Oven baked powder coating  
hammertone grey

**Also available in  
SS 316**

Explosion-Proof IP 66 -  
EN 60079-7

(Nema 4X)

**Repeatability:**

typical 0.2% of Full Scale

**Standard unit:** Barg

**Optional:** PSI / Kg / Pa

**Standard process conetion:**

1/4" NPT F or BSP F

**Standard Diaphragm/O-ring:**

Buna N / Buna N

**For wetted parts:**

more possibilities available,  
see full catalogue

**BETA SWITCHES ARE,  
BUILD TO LAST!**

**Do you want to know more:**

Please contact your local dealer  
and ask for the General Bulletin.  
Or contact us directly!



[www.beta-b.nl](http://www.beta-b.nl)



**Ranges** for Pressure switches

RANGE CODE	ADJ. RANGE mBar/ Bar	ADJ. RANGE PSI / Inch WC	ADJ. RANGE Kpa/ MPa	ADJ. RANGE Kg/cm2 / mmH2O
P 304 L	20 - 240 mBar	8 - 94 InchWC	2 - 24 kPa	200 - 2400 mmH2O
P 306 L	20 - 560 mBar	8 - 220 InchWC	2 - 56 kPa	200 - 5600 mmH2O
P 308 L	25 - 1300 mBar	10 - 510 InchWC	2.5 - 130 kPa	250 - 13000 mmH2O
P 402 M	100 - 400 mBar	1.5 - 5.8 PSI	10 - 40 kPa	0.1 - 0.41 Kg/cm2
P 404 M	100 - 950 mBar	1.5 - 14 PSI	10 - 95 kPa	0.1 - 0.97 Kg/cm2
P 406 M	120 - 2300 mBar	1.7 - 33 PSI	12 - 230 kPa	0.12 - 2.3 Kg/cm2
P 408 M	150 - 5400 mBar	2.1 - 78 PSI	15 - 540 kPa	0.15 - 5.45 Kg/cm2
P 502 H	0.3 - 1.6 Bar	4.4 - 23 PSI	0.03 - 0.16 MPa	0.3 - 1.60 Kg/cm2
P 504 H	0.4 - 3.5 Bar	5.8 - 51 PSI	0.04 - 0.35 MPa	0.4 - 3.5 Kg/cm2
P 506 H	0.5 - 9.0 Bar	7.3 - 130 PSI	0.05 - 0.9 MPa	0.5 - 9.2 Kg/cm2
P 508 H	0.7 - 21.5 Bar	10 - 310 PSI	0.07 - 2.15 MPa	0.7 - 22 Kg/cm2
P 706 H	2.5 - 32 Bar	36 - 464 PSI	0.25 - 3.2 MPa	2.5 - 33 Kg/cm2
P 708 H	3.0 - 76 Bar	44 - 1100 PSI	0.3 - 7.6 MPa	3.1 - 77 Kg/cm2
P 808 H	4.0 - 170 Bar	58 - 2500 PSI	0.4 - 17 MPa	4 - 170 Kg/cm2
P 908 H	10 - 300 Bar	150 - 4400 PSI	1 - 30 MPa	10 - 310 Kg/cm2
P 909 H	10 - 350 Bar	150 - 5100 PSI	1 - 35 MPa	10 - 360 Kg/cm2

**Disclaimer:** We reserve the right to make changes or modify the contents of this document without prior notice. BETA B.V. does not accept any liability or claim whatsoever for potential errors, incorrect interpretation or possible lack of information in this document. It is clearly and only intended as course and general information of our products.

Making the modelcode: Follow steps 1 to 5

### 1 Selection of enclosure type.

Conduit	Material	Enclosure code
Pg13.5	Aluminium	<b>Z1</b>
M20x1.5	Aluminium	<b>Z2</b>
3/4" NPT F	Aluminium	<b>Z3</b>
1/2" NPT F	Aluminium	<b>Z4</b>
M20x1.5	SS 316	<b>Z8</b>
3/4" NPT F	SS 316	<b>Z9</b>

### 2 Selection of range code, see front page

### 3 Selection of process connection.

Size	Material	Code
1/4"NPT F	Aluminium *	<b>A1N</b>
1/2"NPT F	Aluminium *	<b>A2N</b>
1/4"NPT F	SS316	<b>S1N</b>
1/2"NPT F	SS316	<b>S2N</b>
1/2"NPT M	SS316	<b>S7N</b>

\* Aluminum only, std on P..L. - **Not available** on other ranges.

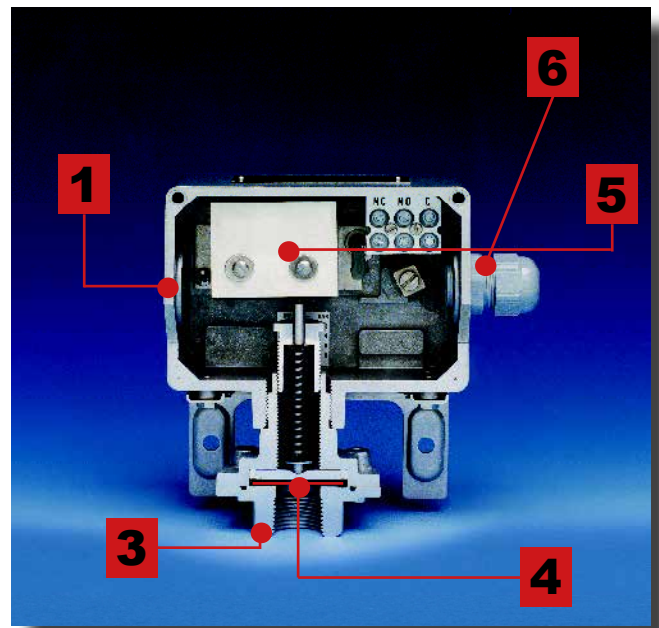
Above standard process connections are also available in: "BSP"  
For example: 1/2" BSP F (3316) = **S2B**

Process connections are also available in other materials like, Monel, PVC, Hastolloy, Titanium etc.

### 4 Selection of wetted parts\*

Diaphragm	O-ring	Code
Buna N	Buna N	<b>B1</b>
Viton	Viton	<b>V2</b>
SS316	Buna N	<b>S1</b>
SS316	Viton	<b>S2</b>
SS316	Teflon	<b>S4</b>
SS316	EPDM	<b>S6</b>
SS316	Welded	<b>S0</b>

\* **WETTED PARTS ARE NOT GUARANTEED**, against corrosion or permeation since processes vary from plant to plant and concentration of harmful fluids, gasses or solids vary from time to time in a given process. Empirical experience by users should be the final guide and alternate materials based on this are generally available. The diaphragm / O-Ring combinations are for process temperatures of -5°C to +90°C, unless otherwise indicated. For process temperatures beyond these limits please contact your BETA Switch Representative



### 5 Selection of microswitches

Rating		Use:	Switch Code: <sup>1)</sup>
VAC.	VDC.		
250/ 5A	250/ 0.25A	ATEX approved. For z-series only	R1
250/ 5A	250/ 0.25A		R2

1) For D.P.D.T action, second code figure should be specified as "2"  
For example: R1 = S.P.D.T./ R2 = D.P.D.T

### 6 Selection of options

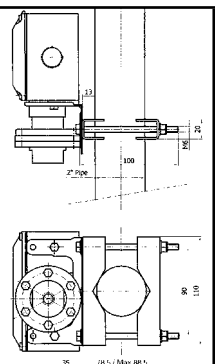
Description	Option code
Cable gland	<b>C</b>
Stainless steel tag key ringed to enclosure (Tag has 2 lines - 16 characters per line)	<b>S</b>
Vacuum Protection Plate	<b>M</b>
Epoxy coating of enclosure and sensorbody (external)	<b>Y</b>

#### Accessoires:

2" Pipe mount bracket set available.

#### Contents :

2 x bolts M6 x 100 mm + washer + nut  
Size +/- 1,5 mm / Material SS 304



#### Disclaimer :

This pipe mount bracket is solely intended for use in combination with BETA Pressure & Temperature Switches.

Foundation vibrations, as well as process vibrations, can disturb the proper functioning of the mounted instrument, the use of this bracket does not prevent or diminishes such occurrence.